



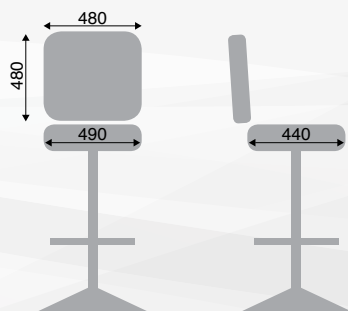
# PLATINUM

RB70KG-EG



## FEATURES:

- Ergonomic design
- Automotive-grade moulded foam seat
- Quick-Release seat
- Protective edge on seat and backrest
- Heavy-Duty swivel mechanism or gas-height adjustment
- Handle on backrest



FL70KG



SB72KG



RB70KG-EG



SB70KG



SB71KG

