



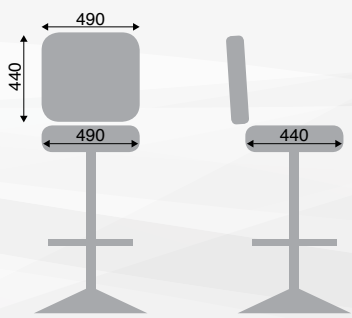
PEGASUS

RB90KG-EG



FEATURES:

- Ergonomic design
- Automotive-grade moulded foam seat
- Quick-Release seat
- Protective edge on seat and backrest
- Heavy-Duty swivel mechanism or gas-height adjustment
- Handle on backrest



FL90KG



SB92KG



RB90KG-EG



SB90KG



SB91KG

