



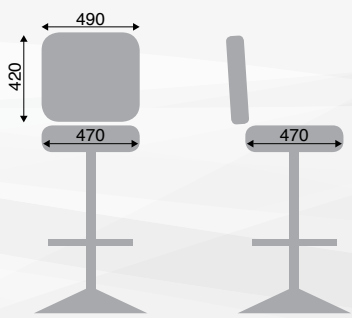
LUNAR

RB300-EG



## FEATURES:

- Ergonomic design
- Automotive-grade moulded foam seat
- Quick-Release seat
- Protective edge on seat and backrest
- Heavy-Duty swivel mechanism or gas-height adjustment
- Handle on backrest



FL300



SBA310



RB300-EG



SBA300



SBN300

